



# Locking Caster Kit 4 in (10 cm)



The **NEW** Big Green Egg 4 in (10 cm) Locking Caster Kit features all black, low-profile components to integrate with the Big Green Egg design scheme. Each kit includes 1 locking and 1 non-locking caster to accommodate the expandability of the Modular Nest System; the casters also work on all Big Green Egg Nests and Tables.

Threaded stem works on all Big Green Egg Modular Nests, EGG Nests and Tables

All components are powder-coated black to integrate with the Big Green Egg color scheme

Heavy-duty for better wear through high-use conditions

Maximized bearing cap surface area for maximum load capacity

Polypropylene cap

Load rating – 165 lbs. (75 kg)  
Swivel radius – 360°

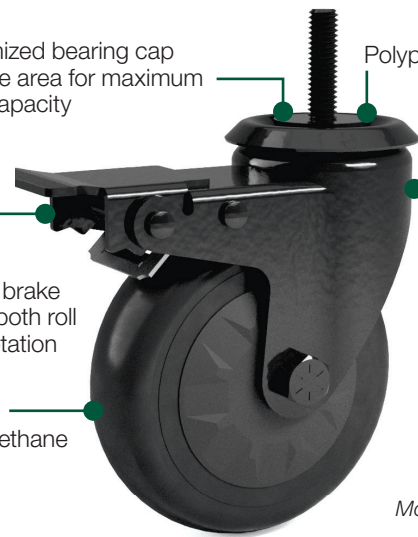
2-way brake locks both roll and rotation

Solid polyurethane wheel

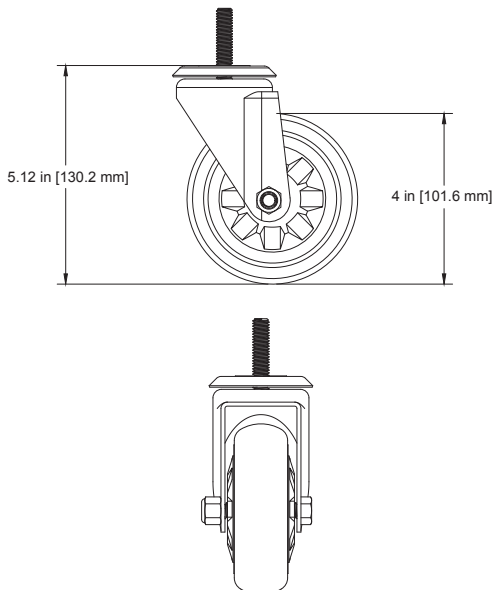
*1 non-locking and 1 locking caster in each box; this accommodates the expandability of the Modular Nest System. Wrench included.*



**NON-LOCKING**



**LOCKING**



**WORKS WITH:** Tables, Modular Nests, IntEGGrated Nests+Handlers and EGG Nests

